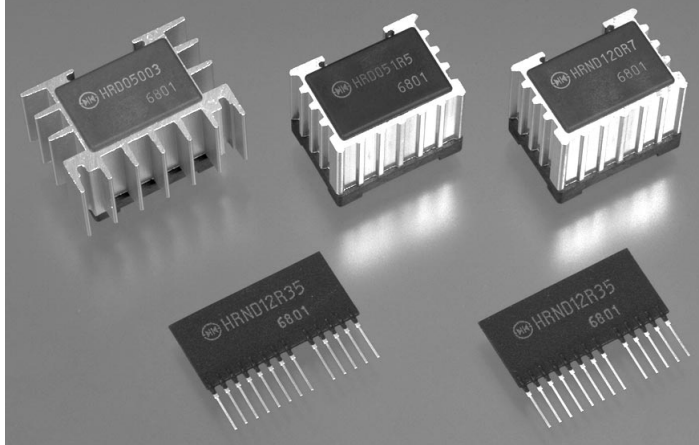


参考資料



FEATURES

- High Reliability
- Thermal Protection
- Small Packaging
- Standard Output Voltage Adjustment (With External Potentiometer)
- Custom Control Chip Yields Compact Size with Low Cost
- Integrated Heat Sink (some models)

SPECIFICATIONS

INPUT

Voltage Range See Model Selection Table
 Max. Input Current See Model Selection Table

OUTPUT

Output Voltage See Model Selection Table
 Set Point $\pm 2\%$
 Regulation
 Total $\pm 5\%$

Noise & Ripple, (peak-to-peak)

25mV typ.

Output Current See Model Selection Table

Short-Circuit Protection Foldback with automatic reset

Frequency 300KHz

Efficiency 75 - 84% (typ.)

Remote ON / OFF Control Available

Instantaneous Output Current 1.2A/2.4A

ENVIRONMENTAL

Operating Ambient Temp. -10 to $+80^{\circ}\text{C}$ (See Derating Chart)

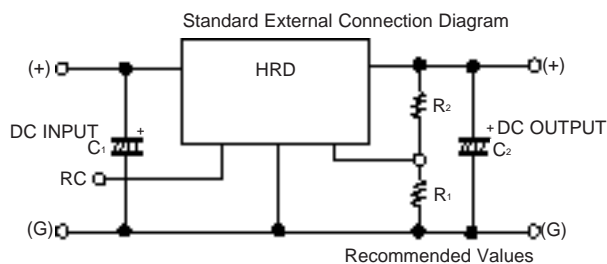
Storage Temp. -30 to $+85^{\circ}\text{C}$

Cooling Conditions Integrated heat sink (some models)

MODEL SPECIFICATIONS

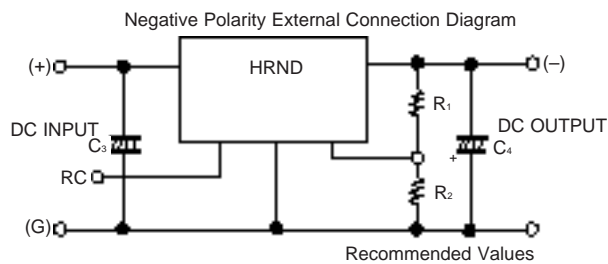
Output			Model and Input Range	
Volts	Range*	Amps	8 - 40 VDC	8 - 32 VDC
+5	3.3 - 24V	0 - 0.6	HRD050R6	—
+5	3.3 - 24V	0 - 1.5	HRD051R5	—
+5	3.3 - 24V	0 - 3.0	HRD05003	—
-12	-5 to -15V	0 - 0.35	—	HRND12035
-12	-5 to -15V	0 - 0.7	—	HRND120R7

* With external potentiometer



Recommended Values

MODEL	C1	C2
HRD050R6	50V 39 μ F	50V 180 μ F 85m Ω
HRD051R5	50V 150 μ F	50V 220 μ F 75m Ω
HRD05003	50V 390 μ F	50V 220 μ F x 2 75m Ω / 2

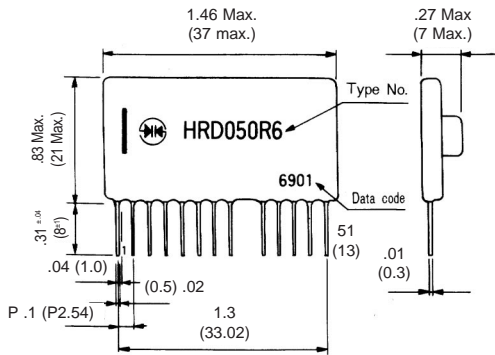


Recommended Values

MODEL	C3	C4
HRD12R35	35V 100 μ F	35V 330 μ F x 2 60m Ω / 2
HRD120R7	35V 270 μ F	35V 390 μ F x 2 50m Ω / 2

MECHANICAL SPECIFICATIONS

参考資料

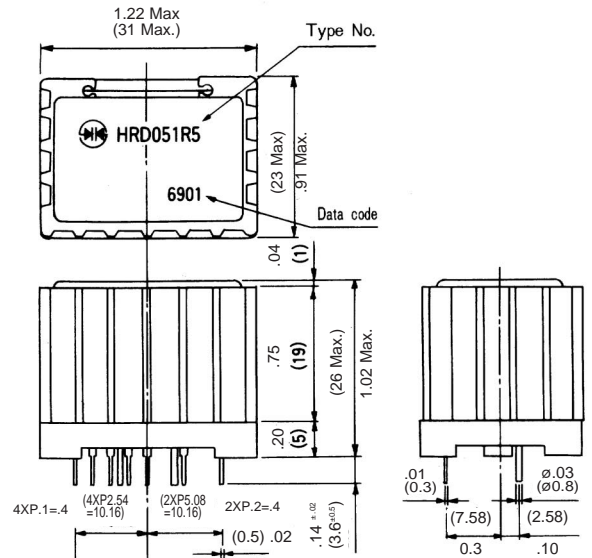


HRD050R6

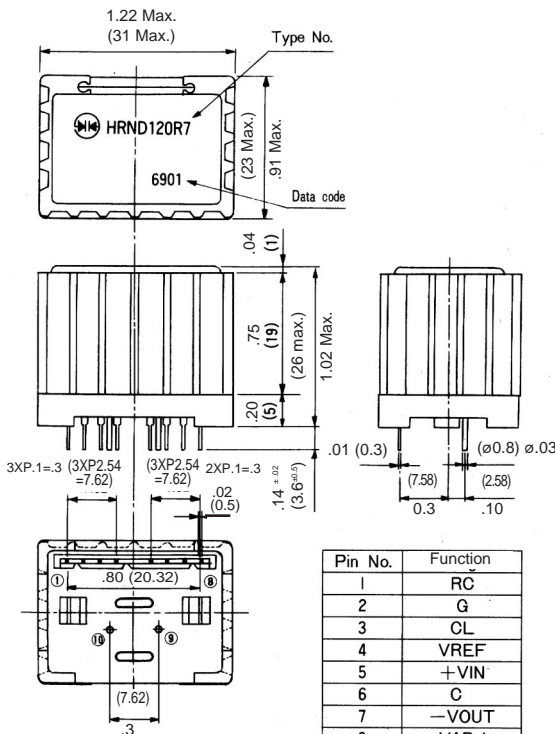
Pin No.	Function
1	NC
2	+VIN
3	+VIN
4	C
5	NC
6	RC
7	G
8	NC
9	NC
10	NC
11	VADJ
12	NC
13	+VOUT

HRND12R35

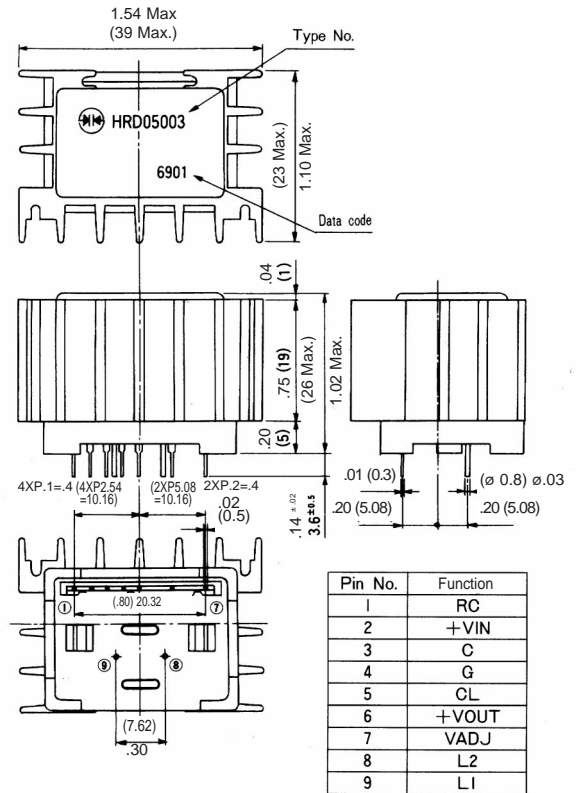
Pin No.	Function
1	+VIN
2	C
3	-VOUT
4	NC
5	VADJ
6	NC
7	NC
8	G
9	RC
10	NC
11	NC
12	NC
13	VREF



Pin No.	Function
1	RC
2	+VIN
3	C
4	G
5	CL
6	+VOUT
7	VADJ
8	L2
9	L1



Pin No.	Function
1	RC
2	G
3	CL
4	VREF
5	+VIN
6	C
7	-VOUT
8	VADJ
9	L1
10	L2



Pin No.	Function
1	RC
2	+VIN
3	C
4	G
5	CL
6	+VOUT
7	VADJ
8	L2
9	L1

Dimensions in inches; () Dimensions in mm.