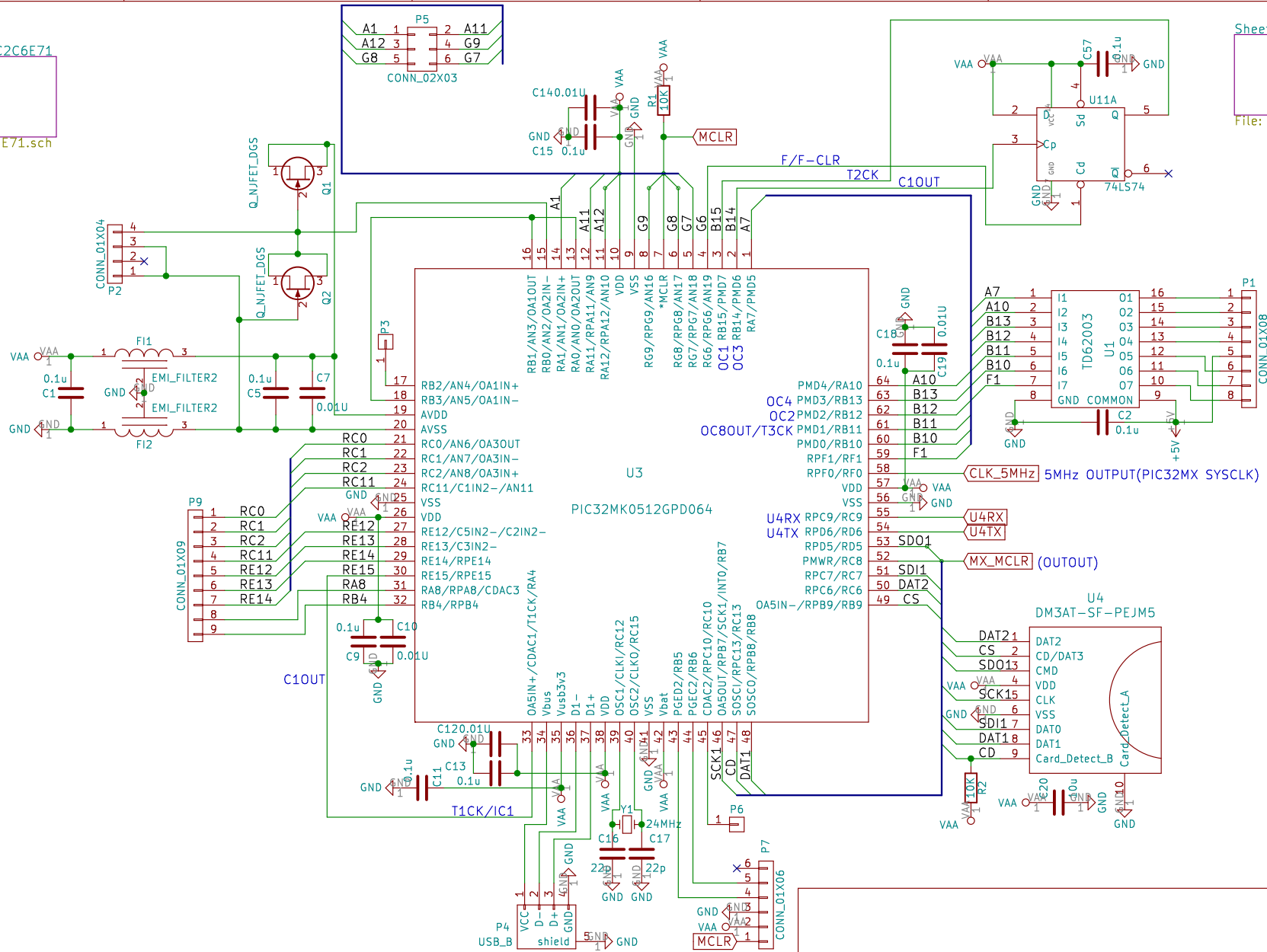


Sheet: Sheet5C2C6E71

File: file5C2C6E71.sch

Sheet: PIC32MX370_064

File: file5B8F8962.sch

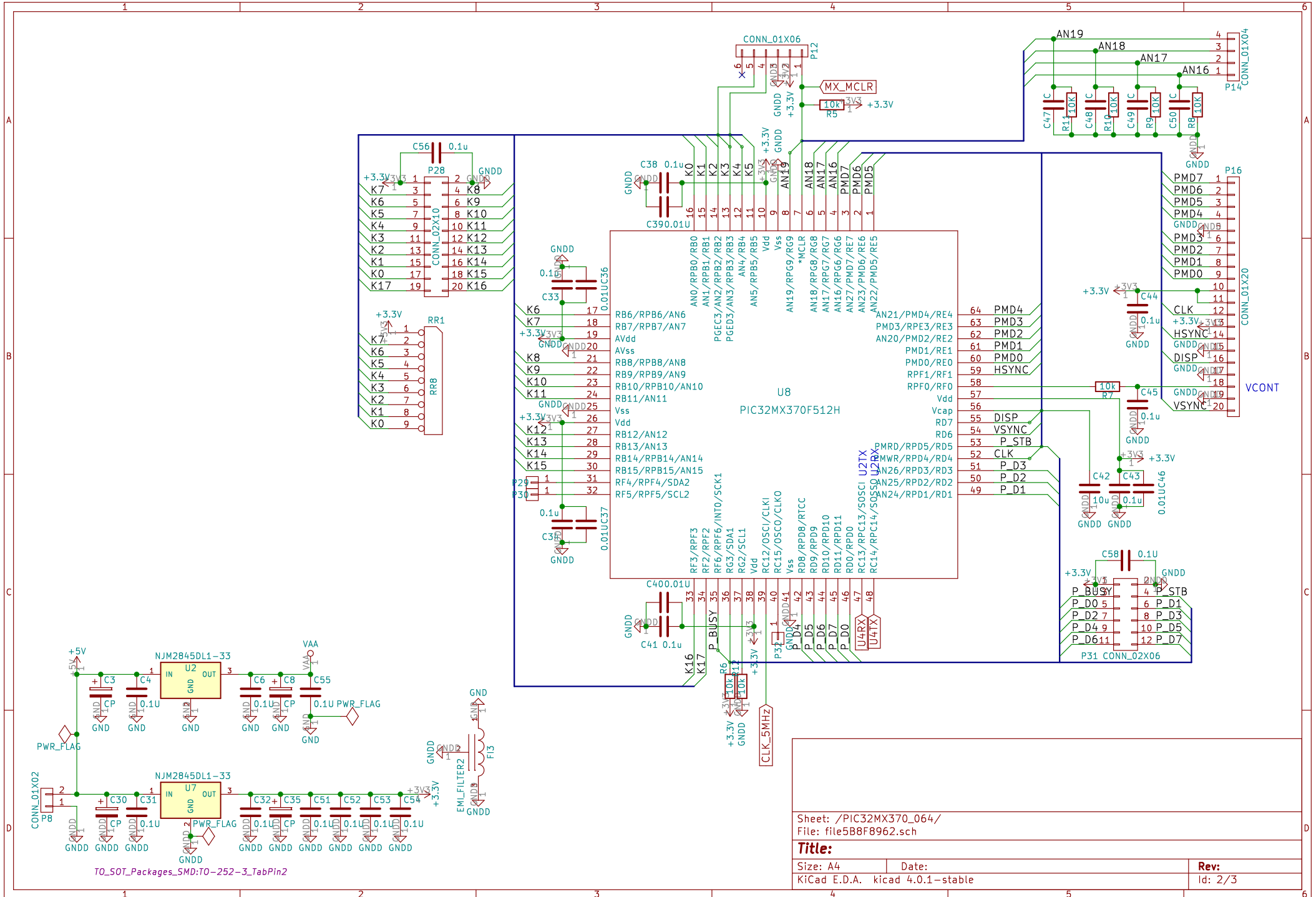


Sheet: /
File: PIC32MX064_LCD.sch

Title:

Size: A4 Date: / /
KiCad E.D.A. kicad 4.0.1-stable

Rev:
Id: 1/3



TO_SOT_Packages_SMD:TO-252-3_TabPin2

Sheet: /PIC32MX370_064/
File: file5B8F8962.sch

Title:	
Size: A4	Date:
KiCad E.D.A. kicad 4.0.1-stable	
Rev:	Id: 2/3

	1	2	3	4	5	6
A						A
B						B
C						C
D						D
	1	2	3	4	5	6

--	--	--

Sheet: /Sheet5C2C6E71/
File: file5C2C6E71.sch

Title:

Size: A4	Date:	Rev:
----------	-------	------

KiCad E.D.A. kicad 4.0.1-stable	Id: 3/3
---------------------------------	---------