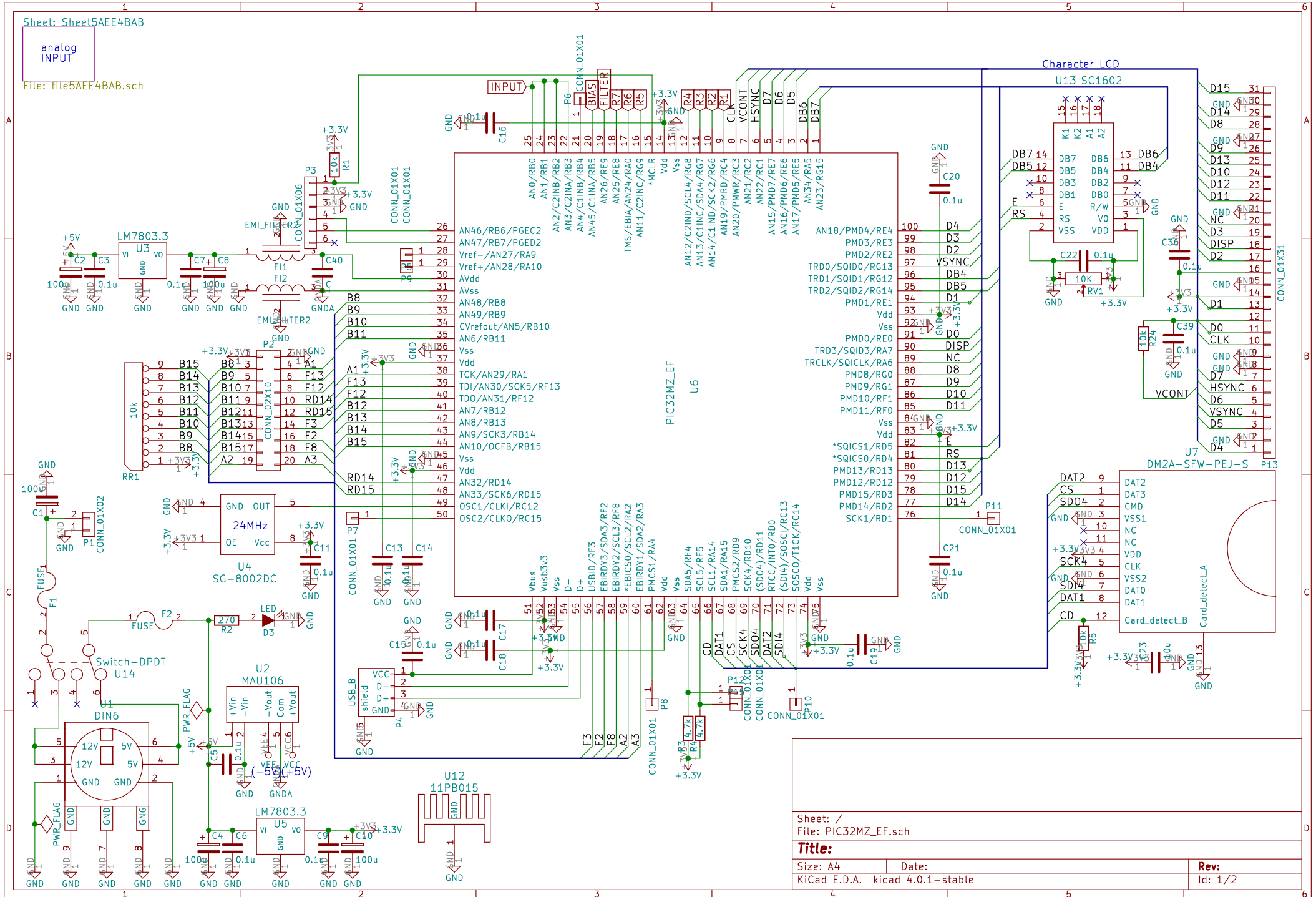


analog INPUT

File: file5AEE4BAB.sch



Sheet: /		Date:	
File: PIC32MZ_EF.sch		Rev:	
Size: A4	KiCad E.D.A.	kiCad 4.0.1-stable	Id: 1/2

